



McMurdo R8F
Model: TT-3965A

SmartFind UHF
Fire Fighter Radio
USER MANUAL

Disclaimer

The information and illustrations contained in this publication are to the best of our knowledge correct at the time of going to print. We reserve the right to change specifications, equipment, installation and maintenance instructions without notice as part of our policy of continuous product development and improvement. No part of this publication may be reproduced, stored in a retrieval system or transmitted in any form, electronic or otherwise without permission in writing from McMurdo Ltd. No liability can be accepted for any inaccuracies or omissions in the publication, although every care has been taken to make it as complete and accurate as possible. This manual is applicable for McMurdo R8F handheld radios manufactured after April 2021.

Disposal

The Waste Electrical and Electronic Equipment (WEEE) Directive aims to minimise any adverse impact of electronic equipment on the environment, both during the product lifetime and when it becomes waste. Within the European Union this legislation is mandated by Directive 2012/19/EU, and there is similar legislation in most other continents. The directive applies to all electronic products such as IT, household appliances, portable electronics etc., and imposes requirements to collect, treat, recover and recycle each product at its end of life. Electronic end-user products must also carry a WEEE label (as below) and recovery and recycling information has to be provided to the recycler.



This product contains traces of lithium in the battery pack. In addition it may contain lead and brominated flame retardants (BFRs), both in the housing material and circuit boards. In keeping with the directive, McMurdo Ltd strongly recommends that this product and its battery pack be disposed of in a sensible and considerate manner. For example, do not simply discard the product in the domestic waste. Instead take it to a civil recycling facility, or contact McMurdo Ltd for advice.

Attention

Read important ATEX information in the following 9 pages. Additional important user information follows after page 9.

ATEX marking for Radio type TT-3965A



Compliance with the Essential Health and Safety Requirements have been assured by compliance with:

EN IEC 60079-0:2018 and EN 60079-11:2012

See the ATEX EU-type Examination Certificate for additional information (a copy of the certificate is included in this user manual).

Operating ambient temperature -20°C to +55°C

Putting TT-3965A into service

Unpacking of the radio and accessories and the removal of the protective film in front of the display must not take place in the ATEX protected area.

Do not use a mechanically damaged radio or battery inside hazardous area.

Always keep contacts on radio, battery and accessories dry and clean.

Do not change the battery in wet or humid environments.

Do not charge the battery in hazardous area.

For charge of battery use only:

Part no: 403505A – ATEX CH3505 Compact Charger,

Part no: 403507B – ATEX CH3507 Single Position Charger or

Part no: 403508B – ATEX CH3508 Dual Position Charger

Use only battery type SAILOR B3503, B3504, or B3906.

Charge the battery for approximately 24 hours the 1st time after prolonged storage to achieve maximum performance

Use only with TT-3965A ATEX approved accessories.

Alternatively ATEX approved accessories in compliance with the accessory connectors ATEX specification may be used.

Use of TT-3965A

TT-3965A is a UHF radio designed for communication in ATEX areas in accordance with the ATEX approval.

TT-3965A is watertight according to the specification IP67.

TT-3965A is designed for use among others on board ships, oilrigs etc.

These radios are typically used for communication between firefighters and the incident commander or between smoke divers.

Do not use a mechanically damaged radio or battery inside hazardous area.

Do not open the radio or battery. There isn't any serviceable parts inside.

Do not charge the battery in hazardous area.

Change of battery is allowed in hazardous area provided that radio and battery contacts are kept dry.

TT-3965A normally uses the rechargeable battery B3906. TT-3965A may alternatively be used with the non-rechargeable battery B3503. B3503 has a shelf life for up to 6 years.

Assembling and dismantling of battery on TT-3965A

Removing and inserting the battery pack

To remove the battery pack, do as follows:

1. Open the safety lock as shown.
2. Remove the battery.

To insert the battery pack, attach the battery and then close the safety lock

If the radio is not used for several weeks it is recommended to store the radio and battery separated to reduce self discharge of the battery.

Always keep the battery connector dry and clean.



Assembling and dismantling of Accessories on TT-3965A top connector

Accessories are connected to the radio at the accessory connector on top of the radio.

Mounting of accessories

Remove the connector cap.

Insert connector in radio and tighten the nut on the accessory connector by hand to exclude water.

Disassembly of accessories

Unscrew the nut and remove the accessory connector.

Attach the connector cap to exclude water.

Always keep connectors dry and clean.

Use only with TT-3965A ATEX approved accessories.

Alternatively ATEX approved accessories in compliance with the accessory connector ATEX specification may be used.

Accessory connector ATEX specification

Technical data:

Accessory interface connector in type of protection Intrinsic Safety
Ex ib IIB only for the connection to certified intrinsically safe circuits

Maximum values: $U_o = 8.4 \text{ V}$
 $I_o = 450 \text{ mA}$

Long-term output power $P_o = 1.8 \text{ W}$ Rectangular characteristics
 $C_o = 150 \text{ nF}$
 $L_o = 10 \text{ } \mu\text{H}$

ATEX approved accessories

Item	Item number	Description
Battery B3503	403503A	ATEX Primary battery
Battery B3504	403504A	ATEX Secondary battery
Battery B3906	403906A	ATEX Secondary battery for TT-3965A
UHF Antenna	88-125662	UHF Antenna
Lanyard	41-124375	Lanyard
Belt clip	62-124320	Belt clip
Leather case	403500-207	Leather case

Accessories approved for use outside ATEX protection zone

Item	Item number	Description
Charger CH3505	403505A	Single position compact charger
Charger CH3507	403507B	Single position charger with holder
Charger CH3508	403508B	Dual position charger
Service cable	403500-958	Only for service use

Maintenance, overhaul and repair

Always keep connectors dry and clean.

Recharge the battery regularly.

Change of battery is allowed in hazardous area provided that radio and battery contacts are kept dry.

No tools are needed for maintenance, overhaul and repair.

Do not open the radio or battery. The radio and battery are each sealed to exclude water.

There is no accessible user or service adjustments inside the radio or battery.

A defect radio or battery must be switched OFF and taken out of service immediately.

Accessories and spare parts are available see Approved accessories above.

Installation

Always install chargers outside the ATEX protected area.

Do not charge the battery in hazardous area.

Adjustment

Do not open the radio or battery. The radio and battery is sealed to exclude water.

There is no accessible user or service adjustments inside the radio and battery.

Training Instructions

No special radio training is needed.

ATEX safety is preserved independent of user settings on the radio.

Manufacturer

Thrane & Thrane A/S Lundtoftegaardsvej 93D, 2800 Kgs. Lyngby, Denmark

Special Conditions for Safe Use

Safe use of ATEX equipment:

- Do not change the battery in wet or humid environments.
- Always keep battery connectors dry and clean.
- Use only with SAILOR ATEX approved accessories.
Alternatively ATEX approved accessories in compliance with the accessory connector ATEX specification may be used.
- Do not change accessories in wet or humid environments.
- Do not charge the battery in hazardous area.
- For charge of battery use
Part no: 403505A – ATEX CH3505 Compact Charger,
Part no: 403507B – ATEX CH3507 Single Position Charger or
Part no: 403508B – ATEX CH3508 Dual Charger.
- Use only battery type SAILOR B3503, B3504 or B3906.
- Do not use a mechanically damaged radio.
- Unpacking of the radio and accessories and the removal of the protective film in front of the display window must not take place in the ATEX protected area.

TT-3965A

Document number: 98-150078-MCM-K.02

Release date: March 4, 2022

Copyright: © 2022 Thrane & Thrane A/S. All rights reserved.

Trademark Acknowledgements

- **SAILOR** is a registered trademark of Thrane & Thrane A/S.
- **Other product and company names** mentioned in this manual may be trademarks or trade names of their respective owners.

Warranty limitation

IMPORTANT - The radio and batteries are sealed waterproof units. To create and maintain the waterproof integrity they are assembled in a controlled environment using special equipment. The radio and batteries are not user maintainable units, and the units must under no circumstances be opened except by authorized personnel. Unauthorized opening of the units will invalidate the warranty.

Disclaimer

Any responsibility or liability for loss or damage in connection with the use of this product and the accompanying documentation is disclaimed by Thrane & Thrane A/S. The information in this manual is provided for information purposes only, is subject to change without notice and may contain errors or inaccuracies. Manuals issued by Thrane & Thrane A/S are periodically revised and updated. Thrane & Thrane A/S is not responsible for the content or accuracy of any translations or reproductions, in whole or in part, of this manual from any other source. In the event of any discrepancies, the English version shall be the governing text.

Thrane & Thrane A/S is trading as Cobham SATCOM.

Precautions

Avoid water and salt in the I/O connector and keep it clean frequently.

Only use original Thrane & Thrane battery packs. Make sure they are clean and dry before attaching the transceiver. Be careful not to damage any gaskets.

Only use the original Thrane & Thrane charger for the rechargeable battery.

Be very careful when handling the Lithium batteries. With correct use they are safe but any misuse might cause dangerous situations.

Never short circuit the battery terminals, never expose the transceiver and the batteries to extreme temperature or fire and never use any kind of violence.

Avoid close contact between the antenna and parts of the human body. The top of the antenna must never be closer than 2.5 cm to the body when transmitting.

Do not submerge the transceiver more than 1 m for 30 minutes.

Keep the transceiver at least 0.3 m away from the magnetic compass.

RF exposure and safety

The TT-3965A UHF is designed for *occupational use only* and is also classified as such. It must be operated by licensed personnel only and thus NOT intended for use in an uncontrolled environment by general public.

The TT-3965A UHF must only be used in the course of employment by individuals aware of the radiation hazards as well as the way to minimize those.

This radio complies with the limits for occupational/controlled RF exposure environment at operating duty factors of up to 50% transmitting and is authorized for occupational use only.

To control your exposure and ensure compliance with the occupational/controlled environment exposure limits always adhere to the following procedures.

- User awareness instructions should accompany device when transferred to other users.
- Do not use this device if the operational requirements described herein are not met.

The TT-3965A UHF complies with the limits for occupational/controlled exposure in the following SAR specifications:

- IEEE 1528-2013
- FCC CFR 47 § 2.1093
- RSS-102 Issue 5

Training Requirement

Operating personnel shall have completed an RF safety program including specific training and education regarding RF radiation hazards in the use of the equipment.

Please refer to the following websites for more information on what RF energy exposure is and how to control your exposure to assure compliance with established RF exposure limits.

<https://www.fcc.gov/engineering-technology/electromagnetic-compatibility-division/radio-frequency-safety/faq/rf-safety>

http://www.ic.gc.ca/eic/site/ceb-bhst.nsf/eng/h_tt00084.html

Operating instruction

Follow these general rules of operation for safe operation and to reduce the RF exposed energy:

- Transmit no more than the rated duty factor of 50% of the time.
- Hold the radio in a vertical position in front of face with the microphone (and the other parts of the radio, including the antenna) at least one inch (2.5 cm) away from the head. Keeping the radio at the proper distance is important because RF exposures decrease with distance from the antenna.
- When worn on the body, always place the radio with an approved belt clip or case. Using approved body-worn accessories is important because the use of other manufacturer's non-approved accessories may result in exposure levels, which exceed the occupational/controlled environment RF exposure limits.
- Use only manufacturer's name approved supplied or replacement antennas, batteries, and accessories. Use of non-manufacturer-name approved antennas, batteries, and accessories may exceed the exposure guidelines.
- For best radio performance, hold the radio vertically and 5 cm away from the head when talking into the microphone.

Channel programming

TT-3965A UHF is from manufacturer programmed with the international channels for on-board vessel communication. For alternative configuration of the radio contact a general agent.

Précautions d'emploi

Évitez tout contact du connecteur E/S avec du sel ou de l'eau et veillez à ce qu'il reste propre et sec.

Utilisez uniquement des batteries d'origine Thrane & Thrane. Assurez-vous qu'elles sont bien propres et sèches avant de les raccorder à l'émetteur-récepteur.

Veillez à n'endommager aucun joint.

Utilisez uniquement le chargeur Thrane & Thrane d'origine pour recharger la batterie.

Soyez très prudent lorsque vous manipulez les batteries au lithium.

Elles sont sûres si elles sont utilisées correctement mais peuvent causer des situations dangereuses en cas d'utilisation non conforme.

Ne court-circuitez pas les bornes de la batterie. N'exposez ni l'émetteur-récepteur ni les batteries à des températures extrêmes ou aux flammes.

Veillez prêter attention à l'exposition aux radiofréquences (RF). Lisez les sections *RF exposure and safety* on page iii, *Training Requirement* on page iii et *Operating instruction* on page iv avant d'utiliser cette radio.

N'immergez pas l'émetteur-récepteur à plus de 1 m de profondeur et pendant plus de 30 minutes. Tenez l'émetteur-récepteur à une distance minimale de 0,3 m d'une boussole magnétique.

Expositions aux RF et sécurité

Le TT-3965A UHF est conçu *uniquement pour une utilisation professionnelle* et est classifié en tant que tel. Il doit être manipulé par du personnel autorisé et n'est PAS prévu pour une utilisation par le grand public dans un environnement non contrôlé.

Le TT-3965A doit uniquement être utilisé dans le cadre professionnel par des individus conscients des dangers des rayonnements ainsi que des façons de les minimiser.

Cette radio est conforme aux limites pour un environnement d'exposition RF contrôlé/professionnel à des facteurs d'utilisation pouvant atteindre 50 % de transmission et elle est autorisée uniquement pour un usage professionnel.

Pour contrôler votre exposition et assurer le respect des limites d'exposition dans un environnement professionnel/contrôlé, respectez toujours les procédures suivantes.

- Les instructions destinées à l'utilisateur doivent être conservées avec l'appareil et être transmises aux autres utilisateurs.
- N'utilisez pas l'appareil si les exigences opérationnelles décrites ici ne sont pas respectées.

Le TT-3965A est conforme aux limites d'exposition professionnelle/contrôlée dans le cadre des spécifications SAR suivantes :

- IEEE 1528-2013
- FCC CFR 47 § 2.1093
- RSS-102 Issue 5

Exigences de formation

Le personnel utilisant l'appareil doit avoir suivi un programme de sécurité sur les radiofréquences, y compris une formation spécifique et disposer de connaissances concernant les dangers de l'exposition aux RF lors de l'utilisation de l'équipement.

Veillez-vous reporter aux sites Internet suivants pour de plus amples informations sur l'exposition à l'énergie des RF et comment contrôler votre exposition pour respecter les limites d'exposition RF définies.

<https://www.fcc.gov/engineering-technology/electromagnetic-compatibility-division/radio-frequency-safety/faq/rf-safety>

http://www.ic.gc.ca/eic/site/ceb-bhst.nsf/eng/h_tt00084.html

Instructions d'utilisation

Respectez les règles générales suivantes pour une utilisation sécurisée, ainsi que pour réduire l'exposition aux RF :

- Ne transmettez pas à un facteur d'utilisation supérieur à 50 %.
- Tenez la radio en position verticale en face du microphone (ainsi que les autres parties de la radio, y compris l'antenne) à au moins 2,5 cm de distance de votre tête. Il est important de maintenir la radio à la bonne distance car l'exposition au RF décroît lorsque la distance par rapport à l'antenne augmente.
- Si vous la transportez sur vous, placez toujours la radio dans un clip de ceinture ou un étui approprié. Il est important d'utiliser des accessoires de transport approuvés car l'utilisation d'accessoires non approuvés provenant d'autres fabricants peut entraîner des niveaux d'exposition qui dépassent les limites d'exposition RF dans un environnement contrôlé/professionnel.
- Utilisez uniquement des accessoires, batteries et antennes de rechange fournis ou approuvés par le fabricant. L'utilisation d'accessoires, de batteries et d'antennes non approuvés par le fabricant peut entraîner le dépassement des limites d'exposition.
- Pour de meilleures performances radio, tenez la radio verticalement et à 5 cm de votre tête lorsque vous parlez dans le microphone.

Programmation des canaux

TT-3965A Fire est un fabricant programmé avec des canaux internationaux pour la communication à bord des navires. Pour une configuration alternative de la radio, contactez un agent général.

Contents

Chapter 1 Introduction

Your UHF	1
Compliance with Marine Equipment Directive	2
Performance	2
Channels	2

Chapter 2 Operation

Controls	5
Keys and buttons	5
The display	7
Using the ATEX UHF	8
Basic functions	8
Other functions	11

Chapter 3 Batteries

Battery types	15
The primary battery	15
The secondary battery	16
The battery chargers	17
Installing the charger	17
Recharging the battery	18

Chapter 4 Configuring the radio

Configuration mode	19
Entering and using configuration mode	19
List of configuration settings	20

Chapter 5 Equipment and accessories

External equipment	27
List of equipment	27
Connecting external equipment	28
Impact on radio operation	29
Accessory connector	29
Accessories	30
List of accessories	30
Attaching and removing the belt clip	32

Chapter 6 Troubleshooting

Displaying errors	33
-------------------------	----

App. A Technical specifications

Technical data TT-3965A	35
General	35
Transmitter	36
Receiver	36
Battery life guidelines	37
Primary battery (non-rechargeable)	37
Secondary battery (rechargeable)	37
Dimensional drawing, transceiver	38
Dimensional drawing, charger	39
Declaration of Conformity	41

App. B Attention

Gore-tex Membrane	47
--------------------------------	-----------

Introduction

Your UHF

The UHF is designed for flexibility in daily use. It connects easily to external equipment like headsets and fist mikes, making the TT-3965A suitable for any noisy environment.

Main features:

- Unique man machine interface, an excellent grip even with gloves, and large tactile buttons.
- Display with red adjustable backlight which makes the display visible even at night.
- Built-in “sleep” function, minimizing power consumption and improving battery lifetime.
- Scrambling function for privacy calls.
- CTCSS function for selective opening of Squelch.
- Channel read-out function for audible feedback of channel name in headset upon channel change
- A lanyard and belt clip included.



Compliance with Marine Equipment Directive

For compliance with Marine Equipment Directive 2014/90/EU - specifically IEC/EN 60945, 8.4.2 - use only primary battery B3503. Except for the reduced capacity in low temperature due to the used lithium-ion technology, the secondary batteries B3906 and B3504 secures compliance with all applicable standards.

Performance

For best performance of the transceiver keep the following in mind:

- Keep clear of metal environment.
- Hold the transceiver vertically and 5 cm from lips and push the PTT when transmitting.
- In receive mode carry the transceiver vertically with belt clips.
- To preserve battery power, adjust squelch to close the loudspeaker when there is no signal.
- If you are in a lifeboat keep the antenna as high as possible.

Channels

TT-3965A UHF is from manufacturer programmed with an approved set of 25 kHz and 12.5 kHz channels according to ITU-R M.1174-3 specifying the international channels for on-board vessel communication. For alternative configuration of the radio contact a general agent.

Table 1: Simplex frequencies (25 kHz)

Channel designator (preprogrammed)	Recommendation ITU-R M.1174-3	Frequency
A	4	467.525 MHz
B	5	467.550 MHz
C	6	467.575 MHz
D	1	457.525 MHz
E	2	457.550 MHz
F	3	457.575 MHz

Table : Duplex frequencies for use with repeaters only (25 kHz)

Channel designator (preprogrammed)	Repeater RX Frequency	Repeater TX Frequency
G	467.525 MHz	457.525 MHz
H	467.550 MHz	457.550 MHz
J	467.575 MHz	457.575 MHz
K	467.5375 MHz	457.5375 MHz
L	467.5625 MHz	457.5625 MHz

The channel designators are defaulted to the letter formats “A” (25 kHz frequency separation). Any additional explanatory naming can be added (see *ADD NAME* in *Chapter 4 Configuring the radio* on page 19.

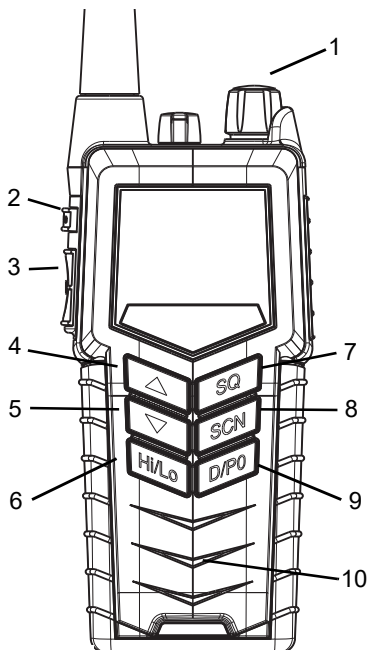
If no dedicated naming is applicable users are encouraged to add complimentary channel names as defined in table 2 and 3 (Recommendation ITU-R M.1174-3).

Operation

Controls







Keys and buttons

1. On/off/volume
2. Light/Lock
3. Push To Talk (PTT)
4. Up key
5. Down key
6. Hi/Lo output power
7. Squelch
8. Scan
9. D/P0 quick channel select
10. Loudspeaker/microphone



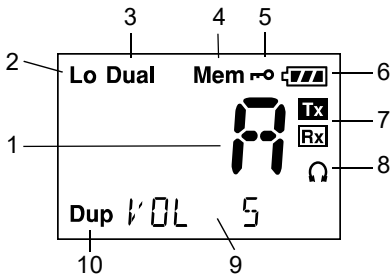
Key presses

Pressing and holding certain keys gives access to additional functions, shown in the table below.

Key	Short press (1 beep)	Long press (2 beeps)	Extra long press (3 beeps)
 	<p>Show next available item in the list (up or down).</p> <p>Default: Channel selection</p>	<p>Run through available items, or select tagged channels P1 (▼) or P2 (▲).</p>	<p>Run through available items if an P1 or P2 channel is tagged</p>
	<p>Activate Squelch control (Adjust with up/down arrows).</p>	<p>Monitor function. Open Squelch completely. Set period of time in configuration mode.</p>	
	<p>1 press: Activate/terminate Dual watch.</p> <p>2 presses: Activate memory scan.</p>	<p>Add/Delete channel from memory scan.</p>	
	<p>Toggle between high and low transmitter power.</p>		
	<p>Select channel D.</p>	<p>Select preprogrammed channel P0.</p>	

The display

The display holds various fields of information, explained below.



1. Current working channel.
2. “Lo”: Reduced transmitter power.
Full transmitter power is not shown in display.
3. Dual watch activated.
4. Current working channel is marked for scanning.
5. Keypad is locked.
6. Battery level indicator.
7. Transmitting (TX) /Receiving (RX).
8. Accessory is connected.
9. Service line for various purposes. In this example the volume level.
10. Semi-duplex channel.

Using the ATEX UHF

Basic functions

Note Before using the radio, mount the antenna at the top of the radio. The antenna is delivered with the radio.

Switching the radio on and off

- **To switch the radio on**, turn the knob at the top of the radio **clockwise**.
The display lights up showing the last used channel and the battery level.
- **To switch the radio off**, Turn the knob back **counter-clockwise** until it clicks.

Selecting the working channel

- To select **channel D**, press the **D/P0** key.
- To select among **all available channels**, press ▲ or ▼ on the keypad. For fast selection, press and hold ▲ or ▼.

The display shows the currently selected channel. The bottom left corner of the display shows “Dup” if the channel is a semi-duplex channel.

Note Long press on ▲ or ▼ can also be used to select preferred channels. For information on how to program preferred channels, see *Configuring the radio* on page 19.

Activating a call

To **activate a call** to the selected channel, press and hold the **PTT** button on the side of the radio.

The radio transmits as long as the PTT button is pressed. A small **TX** sign next to the channel number indicates when the radio is in transmit mode.

Adjusting the volume

- **To increase** the volume, turn the on/off knob at the top of the radio **clockwise**.
- **To decrease** the volume, turn the knob **counter-clockwise**.

The display shows the level of the volume, e.g. “VOL 5”, while it is adjusted.

Using Squelch control

- **To activate** Squelch control, press the **SQ** key.
- **To set** the Squelch level, press ▲ (closing) or ▼ (opening). The display shows the Squelch level while it is adjusted, e.g. “SQ 5”.

Adjusting the display backlight

- **To turn on** the backlight, press the **Light/Lock** button on the side of the radio.
- **To adjust** the backlight level, press ▲ or ▼ within 3 seconds after turning on the light.
The display shows the level while it is adjusted, e.g. “DIM MED”.

Using Dual watch (requires priority channel is programmed)

- **To activate** Dual watch, press the **SCN** key.
The display shows “Dual” at the top and “D” at the bottom right. The radio toggles between the selected channel and channel D (if channel D is programmed as the priority channel).

- **To terminate** Dual watch, press **SCN** again.

Scanning channels

- **To activate** scanning memory, press 2 times **SCN** within $\frac{1}{2}$ a second. During scanning, the display shows “SC” in the channel field. The radio toggles between channel D and each of the channels are marked for scanning (only if a priority channel, e.g. D was programmed).
- **To terminate** scanning, press **SCN** once.

Changing the transmitter power

To change the transmitter power, press the **Hi/Lo** key. The display shows “LO” when power is set to low. Otherwise maximum power is used.

Locking the keypad

- **To lock** the keypad, press and hold the **Light/Lock** button. The display shows a key symbol when the keypad is locked.
- **To unlock** the keypad, press and hold the **Light/Lock** button again.

Other functions

Programming the scanning memory

To add a channel to the scanning memory, select the channel and then press and hold the **SCN** key until the display shows **MEM** at the top.

To remove a channel from the scanning memory, select the channel and then press and hold the **SCN** key until the **MEM** sign disappears from the display.

Low power operation

The radio can be operated in low power mode. In this mode battery life time is dramatically increased. Up to the first second of a received call might be lost if this mode is selected. Refer to *SLEEP* on page 20.

Continuous Tone Coded Squelch System

Selective squelch opening by sub-tone detection (CTCSS) can be enabled, using the configuration mode (see *CTCSS* on page 23). Please note that if the radio is operating with CTCSS on a channel, and a carrier is received, it may not be recognized in the loud speaker if the matching sub-tone is not detected. For this reason, be very careful not to use CTCSS programmed channels in emergency situations. For the same reason transmitting is prohibited (reporting "BUSY") if a (silent) carrier containing any sub-tone is active on the channel while pressing PTT.

Channels programmed with CTCSS will have a clear identification in the service field, e.g. "CTCSS 22", while selected. Not all channels are allowed for CTCSS use.

For maritime channels CTCSS is automatically disabled when

- Product is turned off
- A new channel is selected

For private channels, the feature will remain until manually removed.

Scrambler

On channels where it is allowed, you can set up voice scrambling, using configuration mode (see *SCRM* on page 24).

Please note that if the radio is operating with scrambling on a channel, it is impossible to communicate with other radios that are not programmed with the same scrambler code. For this reason, be very careful **not** to use scrambled channels in emergency situations. Scrambled channels will have a clear identification in the service field, e.g. "SCRM 3", while selected. Not all regions allow the use of voice scrambling.

For maritime channels scrambling is automatically disabled when

- Product is turned off
- A new channel is selected

For private channels, scrambling will remain until manually removed.

Note

Prior to any initiation of scrambling, the operator must always identify the calling station in clear voice (unscrambled) on that channel. Use of scrambling may also be restricted by national laws.

Narrow band operation

The radio is prepared for narrow band operation. (see *BAND* on page 24).

Narrow band configuration is indicated with an "n" next to the channel designator.

Alive beep

To enable “ALIVE” function do as follows:

1. Select the channel where ALIVE function is desired to be transmitted.
2. Press and hold the **Hi/Lo** until you see “ALIVE ON” on the radio display. It takes approx. a second.
3. Now “ALIVE” is transmitted by a “beep” on the working channel, with approx. 4-second intervals.

To deactivate “ALIVE” function do as follows:

- Press and hold the **Hi/Lo** pressed until “ALIVE ON” no longer appears on the radio display. It takes approx. a second.

“ALIVE” function is also deactivated when

- The channel is changed.
- The radio is turned OFF and ON again.
- Watch or scanning is enabled.
- Squelch is open.

Refer to *ALIVE* on page 24

Channel read-out

In some use cases the display is not directly visible to the user (e.g. if the radio is used in a belt or pocket). Consequently, when changing to a new channel (using the Up and Down buttons) the user cannot positively know which channel is now the current one.

The channel read-out feature, however, enables users to get audible feedback on channel name in a connected headset (or speaker-mike)

upon channel change (the name of the new channel will be announced in the headset).

Please note that this feature is disabled as default and can be enabled either through the Portable Radio Service Tool or the menu settings in the radio (see chapter 4 for more information).

Please also note that this feature requires external equipment with a speaker, hence, although the feature is enabled the new channel will not be announced in the speaker of the radio.

Please also note that if the Monitor function is enabled, the new channel will not be announced in the speaker of the radio or the head-set although the channel read-out feature is enabled and a head-set is connected.

Batteries

Battery types

- The ORANGE (B3503) primary battery pack contains a non-rechargeable Lithium battery. This battery pack is to be used in case of emergency and to ensure compliance with MED 2014/90/EU.
- The RED (B3906) or BLUE (B3504) secondary battery pack contains a rechargeable battery. These battery packs can be used in conditions where MED 2019/90/EU is not applicable.

The primary battery

Important

The orange (B3503) primary battery pack is only for emergency use, and is **not** rechargeable.

Before using the primary battery, remove the seal on the battery pack. Then do as follows:

1. Attach the battery pack to the radio as shown.
2. Lock the battery with the safety lock at the bottom.

The primary battery is capable of providing sufficient power for 8 hours of operation defined as 10% Tx, 10% Rx and 80% standby. When the primary pack is not in use it must always be placed in the dedicated rear position in the charger cradle, see *The battery chargers* on page 17.



The secondary battery

Removing and inserting the battery pack

To remove the battery pack, do as follows:

1. Open the safety lock as shown.
2. Remove the battery.

To insert the battery pack, attach the battery and then close the safety lock.

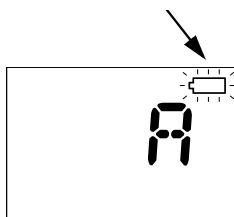
If the radio is not used for several weeks it is recommended to store the radio and battery separated to reduce self discharge of the battery.



Battery level indication

When the battery level is low, you should recharge the battery.

The radio display shows the battery status. When the battery symbol is empty and flashing, the battery should be recharged as soon as possible.



The battery chargers

The chargers has two compartments.

CH3505

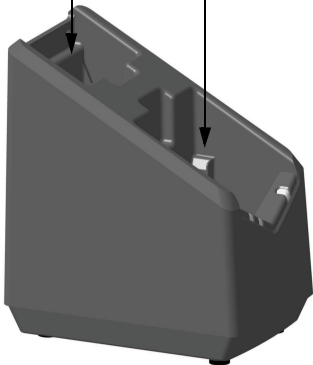
- A compartment for recharging the battery alone or while attached to the radio.

CH3507

- A rear compartment only for storing a spare battery. It does not have a charger function.
- A front compartment for recharging the battery alone or while attached to the radio.

CH3508

- It is possible to charge a battery in rear compartment simultaneously with the radio/battery in front.



Installing the charger

Mounting the charger

There are several options for mounting one or more chargers on a table or a wall.

For information on dimensions and screw positions, refer *Dimensional drawing, charger* on page 39.

When mounting the charger, make sure it is placed in a dry place and away from direct sunlight. The charger is not waterproof.

Connecting to power

The charger can be supplied from DC or from AC using an AC/DC converter.

DC: Connect the 12-24VDC Connection Cable between the DC supply and the connector on the underside of the charger.

AC: Connect the AC/DC converter to the connector on the underside of the charger. Then connect the AC/DC converter to the AC outlet.

Recharging the battery

To recharge the battery, place the radio with battery or the battery alone in the front position of the charger cradle.

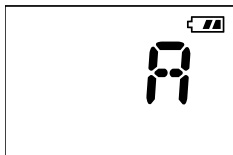
If the radio cannot turn on due to complete discharged battery, then **turn off** the radio and place it in the charger or charge the battery alone.

The light indicators on the charger cradle show the status as follows:

- Green light: Power is connected to the charger.
- Steady red light: Charging completed. Trickle charge mode.

Charging time with empty battery: UHF off approx. 4 hours, UHF on: approx. 5 hours.

The battery indicator on the radio display indicates if the radio is placed in the charger while radio and charger are both powered.



Configuring the radio

Configuration mode

Entering and using configuration mode

Note | The radio is not operational in configuration mode.

- **To enter** configuration mode, press and hold the **Light/Lock** button while turning on the radio.
The bottom line of the display shows the current menu item/setting.
- **To exit** configuration mode, turn off the radio or press any key except ▲, ▼ and the Light/Lock button.
Using the PTT button or leaving the radio inactive for 10 seconds also causes the radio to exit configuration mode.
- **To change** a setting, press ▲ or ▼.
- **To confirm the current setting** and go to the next menu item, press the **Light/Lock** button.

List of configuration settings

The following settings are available in configuration mode.

Name	Values	Description
LIGHT	MAN	Only Light/Lock button activates the backlight.
	KEY	All keys and buttons, except PTT and volume control, activate the backlight.
BEEP	MAX	Status click/beep sound on key press, long press (settings/programming saved) and battery alarm. Maximum level.
	MIN	Status click/beep sound on key press, long press (settings/programming saved) and battery alarm. Minimum level.
	OFF	All beeps off.
VER	X.XX.XX	Software version. Read-only.
BAT	X.XX	Battery voltage (V). Read-only.
TEMP	XX.X	Temperature (°C). Read-only.
SLEEP	ON	Enable sleep mode (to minimize power consumption). Sleeps for periods of 1 second after 15 seconds of idle mode. Idle mode is: no signal detected and no operation of the radio.
	OFF	Disable sleep mode.

Name	Values	Description
CONTRST	1, 2, 3, 4, 5	Contrast. 1 = lowest and 5 = highest.
SHANG	OFF	Off. Resumes scanning when signal disappears.
	4, 6, 8, 10	Scan hang time (in seconds) on an active receiving working channel. The time is measured from signal detected - remains on channel even if signal disappears.
RESCN	OFF	Automatic resume deactivated.
	3, 6, 10, 15, 20, 25, 30	Scanning/watch can be automatically resumed after this time (seconds) if previously terminated with PTT.
SQ	TIME	A long press on SQ opens squelch. The squelch level resumes to setting 3 seconds after SQ is released.
	MAN	A long press on SQ opens squelch. The squelch level resumes to setting as soon SQ is released.
WORK	ON	If the default channel D is selected using the D/P0 key, any push on ▲ or ▼ will select the working channel active before D/P0 was pushed.
	OFF	If on a distress or call channel, any push on ▲ or ▼ will select the channel next to the displayed channel.

Name	Values	Description
P0	OFF	Remove tag "P0" for current working channel.
	ON	Tag current working channel with "P0". If another channel was previously tagged "P0", this is overruled. <ul style="list-style-type: none"> The working channel can now be selected with a long press on "D/P0".
P1	OFF	Remove tag "P1" for current working channel.
	ON	Tag current working channel with "P1". If another channel was previously tagged "P1", this is overruled. <ul style="list-style-type: none"> The working channel can now be selected with a long press on ▼.
P2	OFF	Remove tag "B" for current working channel.
	ON	Tag current working channel with "P2". If another channel was previously tagged "P2", this is overruled. <ul style="list-style-type: none"> The working channel can now be selected with a long press on ▲.

Name	Values	Description
SUBC	OFF	SUBC disabled. Squelch opens on all received signals.
	1, 2, ..., 38	<p>Sub-tone carrier ID.</p> <p>Squelch opens if the received signal contains the desired subtone. During transmission the sub-tone with the corresponding ID is generated.</p> <p>Two radios on the same channel and with the same sub-tone ID, can reduce unwanted incoming traffic from other users on the same channel.</p>
CTCSS	OFF	CTCSS disabled.
	ON	<p>Activate CTCSS on working channel. Two radios on the same channel and with SUBC enabled, can have a certain level of privacy.</p> <p>Note that if you choose this option, the radio immediately exits configuration mode and starts CTCSS on the working channel.</p>
GROUP	SEL	Selective Mode. Squelch opens only if the programmed sub-tone is received in the signal.
	ANY	Squelch opens on reception of any of the 38 sub-tones.

Configuring the radio

Name	Values	Description
SCODE	OFF	No scrambler code is assigned to the channel (selecting “ON” in the SCRM setting will have no effect).
	1, 2, 3, 4, 5, CC	A selection between 5 fixed sets of scrambler characteristics, and a custom code (CC), can be assigned to the channel. Note that the custom code can be defined in the service interface.
SCRM	OFF	Scrambler disabled.
	ON	Activate scrambling on working channel. Two radios on the same channel and with scrambling enabled, can have a certain level of privacy. Note that if you choose this option, the radio immediately exits configuration mode and starts scrambling on the working channel.
BAND	25.0	Wide band operation selected.
ALIVE	OFF	Factory default state.
	ON	Press ▲ to set “ALIVE” on.

Name	Values	Description
ADD NAME	A-Z, 0-9	<p>Makes it possible to name the channels.</p> <p>The name must contain a maximum of 9 characters, use only capital letters, digits and spaces.</p> <p>Press Light/Lock to confirm programming.</p> <p>Note: The name appears in the service line on the display.</p>
CHRD	OFF	Channel read-out disabled - Factory default
	ON	<p>Channel read-out enabled</p> <p>Upon channel change the channel name of the new channel will be spoken in a connected headset or speaker-mike.</p> <p>Please note that the channel will not be announced in the speaker of the radio or head-set if the Monitor function is enabled.</p>

Equipment and accessories

External equipment

List of equipment

The following equipment can be connected to the radio:

Equipment
SAVOX C-C440AV Push-To Talk unit
SAVOX C-C500 Remote Speaker Microphone
SAVOX NC/400 Noise-com
SAVOX HC-E Helmet-com
SAVOX HC-1 Helmet
Peltor MT7H79F-50 Headset
Peltor MT7H79P3E-50 Headset - Helmet Mount
Peltor MT1H7F2-07-51 Tactical ATEX - Headband
Peltor MT1H7P3E2-07-51 Tactical ATEX - Helmet

We recommend to remove all accessories during emergency use.

All accessories listed might be used when body worn.

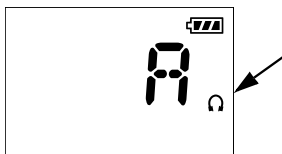
Connecting external equipment

Connect the dedicated interface cable between the external equipment and the top connector on the radio.

Interface cable
SAVOX C-C440AV - for SAVOX PTT unit
SAVOX C-C500 - for SAVOX Headset
SAVOX C-C500/C-C440AV - for PELTOR headset when using SAVOX PTT
Peltor FL5261B - for Peltor Headset



When external equipment is connected to the radio, the right side of the display will show a headset.



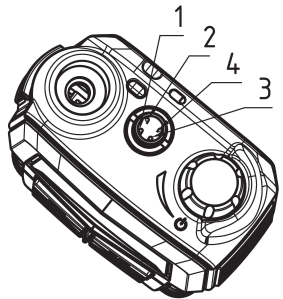
Impact on radio operation

The external equipment can have a built-in PTT button, speaker and microphone. Thus a connection has per default the following impact on the radio operation:

- If a speaker or earpiece is built into the detected external equipment, the sound device of the external equipment is used, and the internal radio speaker is disabled.
- The external accessory microphone is selected as audio input device, when the external PTT button is pressed. The transceiver microphone is used as audio input device when the transceiver PTT button is pressed.
- This behaviour can be changed in the service tool.

Accessorie connector

- Pin 1. Loudspeaker,
minimum 8 ohm impedance.
- Pin 2. Accessory power,
3.5V maximum 13mA.
- Pin 3. Microphone input,
 $R_i = 2.2\text{kohm}$, 3V phantom power.
- Pin 4. GND.



Accessories

List of accessories

The following accessories are delivered with your radio:

Accessory
ATEX Rechargeable battery,
ATEX Compact Charger, CH3505
AC/DC converter, length 150cm (100-240V~ /12VDC out)
12-24VDC Connection cable, length 150cm
Belt clip
Antenna
Lanyard
User Manual (this manual)

Batteries, charger, AC/DC Converter and **12VDC Connection** are described in *Batteries* on page 15.

To mount the **antenna**, simply screw it into the threaded bush at the top of the radio.

Use of **lanyard** is only for hand held operation. Put it around the wrist to prevent dropping the radio.

Accessories you may buy

Accessory
ATEX Charger CH3507
ATEX Dual Position Charger CH3508
ATEX Leather Case

Leather Case



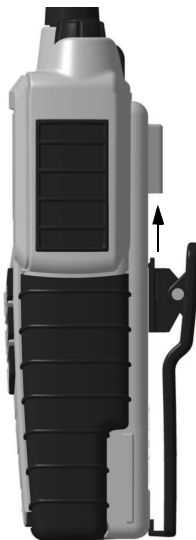
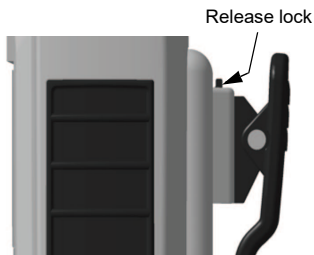
Warning!

The display must always be kept away from the body to reduce the RF exposure when body worn.

Attaching and removing the belt clip

To attach the belt clip, slide the belt clip upwards into the rails at the back of the radio until it locks.

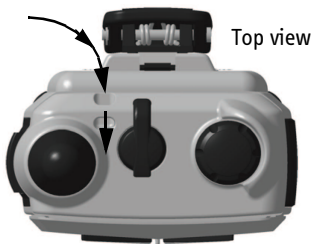
To remove the belt clip, press the projection at the top of the belt clip to release the lock and slide the belt clip downwards out of the rails.



Attaching the lanyard

Do as follows:

1. Take the lanyard through the eye at the top of the radio.
2. Put one end of the lanyard through the loop at the other end of the lanyard and pull to tighten.



Troubleshooting

Displaying errors

Some errors result in an error message in the display. These error messages are listed below.

Display text	Problem	Type	Actions
Err EMPTY BAT	The battery voltage is below a critical level, where further operation would damage the battery.	Severe. Radio is non-functional.	Change/recharge the battery.
Err HW ERR	Hardware error.	Severe. Radio is non-functional.	Service required.
ILLEGAL	Context fails operation. This text will appear on the following occasions: <ul style="list-style-type: none"> • Multiple watch is selected in channel regions where it is not allowed. • High power is selected on a channel where it is prohibited. • Transmission on blocked channels 	Fail operation	Consider operation in a different context.

Technical specifications

Technical data TT-3965A

General

Item	Specification
RX frequency range	457.525 - 457.575 MHz, 467.525 - 467.575 MHz
TX frequency range	457.525 - 457.575 MHz, 467.525 - 467.575 MHz
Modulation 25 kHz	16K0G3E
Power supply	7.4 VDC Li battery
Current drain at 2 W TX	1.0 A
Current drain at 0.4 W TX	0.7 A
Current drain RX max audio	0.25 A
Antenna port	50 ohm
Battery	1650 mAh Li-Ion Secondary 1650(rechargeable) 3000 mAh Li-Fe Primary
Operating temperature	-20°C to +55°C
Water ingress protection	IP67
Frequency stability	Better than ± 1.0 kHz
Weight with battery	350g

Transmitter

Item	Specification
RF output power, maritime	2 W radiated / 0.4 W radiated (EIRP)
Max deviation 25 kHz	±5 kHz
Spurious emission	< 0.25 μ W
Adjacent channel power 25 kHz	> 70 dB

Receiver

Item	Specification
Sensitivity (20 dB SINAD)	-117 dBm typical
Intermodulation EN 300 720 EN 300 086	Better than 68 dB 65 dB
Spurious response	> 70 dB
Adjacent channel selectivity 25 kHz	> 70 dB
Audio output, internal	0.25 W at 10% dist.
Audio output, external	0.25 W/8 ohm

Battery life guidelines

Primary battery (non-rechargeable)

The primary non-rechargeable battery pack is capable of providing sufficient power for the specified 8 hours according to regulations.

The expiry date printed on the battery label is valid when the battery is stored at temperatures below +40°C.

The expiry date will typically be more than 5 years from the purchase date.

Replace the battery at or before this date.

To ensure a long lifetime keep the battery in the store position in the charger and avoid high temperature and direct sunlight.

Secondary battery (rechargeable)

Note

New batteries should be placed in the charger for minimum 12 hours first time.

During daily use, always keep the battery fully charged and away from hot areas.

Keep the battery terminals dry and clean.

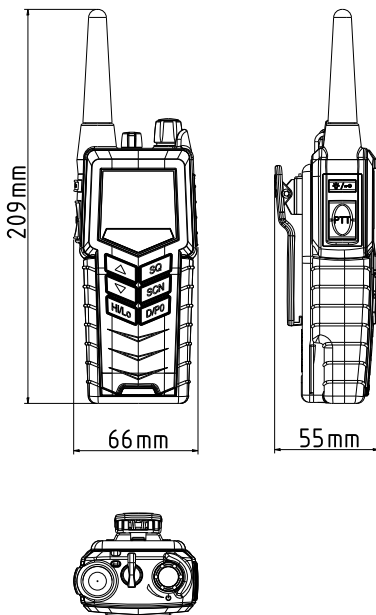
Never discharge beyond the specifications of the battery.

Operation/Standby time depends on usage. Generally, the more the radio is transmitting, the faster it will drain the battery. Also, the “Hi” power setting will drain the battery faster than the “Lo” setting.

Approximate figures are:

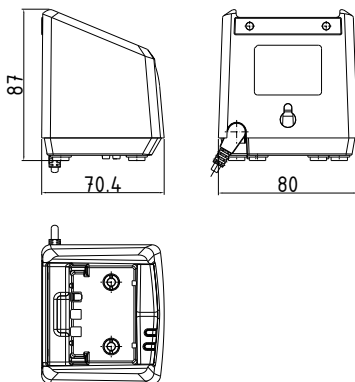
- A battery can be stored for 4 to 6 month at 25°C if charged to 40%. The battery will normally last for 5 to 9 hours of use on a fully charged battery.

Dimensional drawing, transceiver



Dimensional drawing, charger

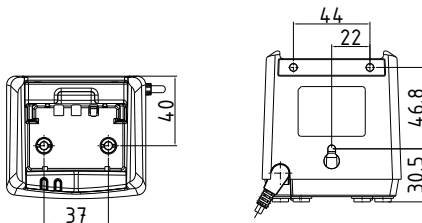
CH3505



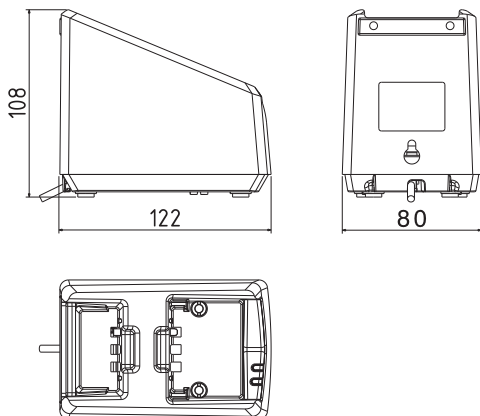
Mounting Possibilities

Desktop mounting, top view

Wall mounting, rear view



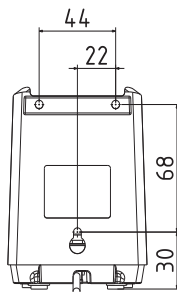
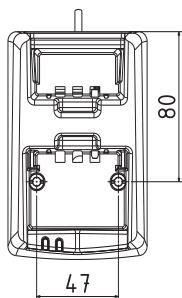
CH3507 and CH3508



Mounting Possibilities

Desktop mounting, top view

Wall mounting, rear view



Declaration of Conformity



EU Declaration of Conformity

Hereby manufacturer,

Thrane & Thrane A/S
Lundtoftegaardsvej 93 D
2800 Kgs. Lyngby
Denmark

The object of the declaration described below is in conformity with the relevant Union harmonization legislation: Directive 2014/34/EU

Equipment

Model	Description	Part no.
TT-3965A	ATEX Transceiver McMurdo R8F UHF	403965A-MCM
SAILOR B3906	ATEX Rechargeable Li-ion Battery	403906A
SAILOR B3503	ATEX Primary Lithium Battery	403503A
SAILOR B3504	ATEX Rechargeable Li-ion Battery	403504A

Associated equipment for use in non-ATEX area

Model	Description	Part no.
SAILOR CH3505	Battery Compact Charger for ATEX	403505A
SAILOR CH3507	Battery Charger for ATEX	403507B
SAILOR CH3508	Dual Battery Charger for ATEX	403508B
	AC/DC Adapter	88-125338

Equipment Applicability

McMurdo R8F is a simplex/semi-duplex handheld ATEX / UHF radiotelephone designed for maritime & landmobile communication within the frequency range 440 MHz to 470 MHz.

Declaration

The requirement with respect to the ATEX Directive 2014/34/EU is met by conforming to the harmonized EU standards EN IEC 60079-0:2018 and EN 60079-11:2012.

McMurdo R8F meets the ATEX requirement for gas environments of class II 2 G Ex ib IIB T4.

McMurdo R8F also meets the requirement for Ingress Protection to the level of IP67.

Certified by:

TÜV NORD
ExVeritas

Notified Body Id. No. 0044
Certificate No. TÜV 16 ATEX 179791 X

Issue: 01

Certificate No. ExVeritas 21PQAN0192

Place and date

Pandrup, 25 October 2021



Program Director R&D
Peter Haslev

Document no.: 99-153896-C



0044
2804



Thrane & Thrane A/S trading as Cobham SATCOM. Registered no. DK - 65 72 42 38. Registered address: Lundtoftegaardsvej 93 D, 2800 Kgs. Lyngby, Denmark.
This memo, which may contain confidential information, is intended solely for the use of the individual(s) or organization to whom it is addressed.
If you are not the addressee, or the employee or agent responsible for delivering this memo to the addressee, please telephone us as soon as possible and return the memo to us by post. Forwarding or unauthorized use, disclosure, distribution or copying of the memo is prohibited.

www.cobhamsatcom.com

COBHAM PUBLIC

Page 1 of 1



EU Declaration of Conformity

Hereby manufacturer,

Thrane & Thrane A/S
Lundtoftegaardsvej 93 D
2800 Kgs. Lyngby
Denmark

declares that this DoC is issued under sole responsibility and that the following Radio Equipment

Model	Description	SW version	Part no.
TT-3965A	McMurdo R8F Portable ATEX UHF radiotelephone. UHF radiotelephone designed for maritime communication.	3.00.xx	403965A-MCM

with the associated accessories

Model	Description	Part no.
TT-3906A	SAILOR B3906 Battery – Rechargeable	403906A
SAILOR CH3505	Compact Charger	403505A
SAILOR CH3507	Single Position Charger	403507B
SAILOR CH3508	Dual Position Charger	403508B
	AC/DC Adapter	88-125538

is in conformity with **RED directive 2014/53/EU** with reference to the following standards applied:

- EN 60950-1:2006+A11:2009 + A1:2010 + A12:2011 + A2:2013
- EN 62368-1:2014/AC:2015/A11:2017
- EN 301 843-1, V2.2.1
- EN 301 843-2, V2.2.1
- ETSI EN 300 720, V2.1.1

Nemko has issued Module B certificate 0470-RED-173603.

Place and date

Pandrup, 15 December, 2020

Program Director R&D
Peter Haslev

Document no.: 99-155709-E




CE



Thrane & Thrane A/S trading as Cobham SYSTEMS. Registered no. 26. 65 72 46 68. Registered address: Lundtoftegaardsvej 93 D, 2800 Kgs. Lyngby, Denmark
This memo, which may contain confidential information, is intended solely for the use of the individual(s) or organization to whom it is addressed. If you are not the addressee, or the employee or agent responsible for delivering the memo to the addressee, please telephone us or write as possible and return the memo to us by post. Imprecise or unauthorized use, disclosure, distribution or copying of this memo is prohibited.

www.cobham.com

Type Examination Certificate

<p>Translation</p> <p>(1) EU-Type Examination Certificate</p> <p>(2) Equipment and protective systems intended for use in potentially explosive atmospheres, Directive 2014/34/EU</p> <p>(3) Certificate Number TÜV 16 ATEX 179791 X issue: 01</p> <p>(4) for the product: Radio transceiver model TT-3965A</p> <p>(5) of the manufacturer: Thrane & Thrane A/S</p> <p>(6) Address: Industrivej 30 9490 Pandrup Denmark</p> <p>Order number: 8000465358</p> <p>Date of issue: 2016-12-13</p> <p>(7) The design of this product and any acceptable variation thereto are specified in the schedule to this EU-Type Examination Certificate and the documents therein referred to.</p> <p>(8) The TÜV NORD CERT GmbH, Notified Body No. 0044, in accordance with Article 17 of the Directive 2014/34/EU of the European Parliament and the Council of 26 February 2014, certifies that this product has been found to comply with the Essential Health and Safety Requirements relating to the design and construction of products intended for use in potentially explosive atmospheres given in Annex II to the Directive. The examination and test results are recorded in the confidential ATEX Assessment Report No. 16 203 189382.</p> <p>(9) Compliance with the Essential Health and Safety Requirements has been assured by compliance with: EN 60079-0:2012 + A11:2013 EN 60079-11:2012 except in respect of those requirements listed at item 18 of the schedule.</p> <p>(10) If the sign "X" is placed after the certificate number, it indicates that the product is subject to the Specific Conditions for Use specified in the schedule to this certificate.</p> <p>(11) This EU-Type Examination Certificate relates only to the design, and construction of the specified product. Further requirements of the Directive apply to the manufacturing process and supply of this equipment. These are not covered by this certificate.</p> <p>(12) The marking of the product shall include the following:</p>	  <p>II 2 G Ex ib IIB T4</p> <p>TÜV NORD CERT GmbH, Langemarckstraße 20, 45141 Essen, notified by the central office of the countries for safety engineering (ZLS), Ident. Nr. 0044, legal successor of the TÜV NORD CERT GmbH & Co. KG Ident. Nr. 0032</p> <p>The deputy head of the notified body</p>  <p>Christian Roder</p> <p>Hanover office, Am TÜV 1, 30519 Hannover, Tel. +49 511 998-61455, Fax +49 511 998-61590</p> <p><small>This certificate may only be reproduced without any change, schedule included. Excerpts or changes shall be allowed by the TÜV NORD CERT GmbH</small></p> <p>P17-F-011 Rev. 01/04.16 page 1/3</p>
--	---



(13) SCHEDULE

(14) EU-Type Examination Certificate No. TÜV 16 ATEX 179791 X issue 01

(15) Description of product

The radio transceiver model TT-3965A is designed in the type of protection "Intrinsic Safety" and is intended for the use onboard ships and on land in classified areas Zone 1 and Zone 2. The radio transceiver is a modified version of the radio transceiver SAILOR SP3560 UHF, which is already separately certified with the EC-Type-Examination Certificate TÜV 08 ATEX 353821 X with associated test report No. 08 203 353821.

The supply can be established either from the secondary battery type B3906, secondary battery B3504 or from the primary battery B3503.

The secondary battery B3906 is a modified version of the secondary battery B3504 with a red instead of the blue housing. The charging is only permitted outside the hazardous area with the associated non-ATEX chargers.

Both the primary and the secondary batteries are designed intrinsically safe and may be changed inside the hazardous area.

The primary battery B3503 and the original secondary battery B3504 are already examined within the afore-mentioned EC-Type-Examination Certificate.

Type key:

No further type key

Technical data:

Accessory interface connector.....in type of protection Intrinsic Safety Ex ib IIB
only for the connection to certified intrinsically safe circuits

Maximum values: $U_o = 8.4 \text{ V}$
 $I_o = 450 \text{ mA}$

Long-term output power $P_s = 1.8 \text{ W}$
Rectangular characteristics

$C_o = 150 \text{ nF}$
 $L_o = 10 \text{ } \mu\text{H}$

Permissible range of ambient temperature range:
 $-20 \text{ }^\circ\text{C} \leq T_a \leq +55 \text{ }^\circ\text{C}$

Approved accessories:

Charger CH3505	403505A
Charger CH3507	403507B
Charger CH3508	403508B
UHF Antenna	88-125662
UHF Antenna	62-125662
Lanyard	41-124375
Belt clip	62-124320
Leather case	403500-207
Service cable	403500-958



Schedule to EU-Type Examination Certificate No. TÜV 16 ATEX 179791 X Issue 01

(16) Drawings and documents are listed in the ATEX Assessment Report No. 16 203 189382

(17) Specific Conditions for Use

1. Do not change the battery in wet or humid environments.
2. Always keep battery connectors dry and clean.
3. Use only with ATEX approved accessories.
Alternatively ATEX approved accessories in compliance with the accessory connector ATEX specification may be used.
4. Do not change accessories in wet or humid environments.
5. Do not charge the battery in hazardous area.
6. For charge of battery use
Part no: 403505A - ATEX CH3505 Compact Charger,
Part no: 403507B - ATEX CH3507 Single Position Charger or
Part no: 403508B - ATEX CH3508 Dual Position Charger
7. Use only battery type SAILOR B3503, B3504 or B3906.
8. Do not use a mechanically damaged radio.
9. Unpacking of the radio and accessories and the removal of the protective film in front of the display window must not take place in the ATEX protected area.

(18) Essential Health and Safety Requirements

no additional ones

- End of Certificate -

Attention

Gore-tex Membrane

To keep the UHF watertight, it is very important that the Gore-Tex membrane under no circumstances must be damaged/covered or removed.

That is, do not remove the Gore-Tex membrane or place any labels in the area.



PRODUCT WARRANTY

Warranty Registration

Congratulations on purchasing your beacon. As standard, your unit has a one year (12 months) warranty from the date of purchase shown on your invoice, however, this can be extended by a further year by simply registering your unit on-line within 90 days of purchase at: <https://www.seasofsolutions.com> then follow the REGISTER WARRANTY link at the top of the page.

Warranty Statement

Subject to the provisions set out below McMurdo warrants that this product will be free of defects in materials and workmanship for a period of up to five years (see above) from the date of purchase. McMurdo will not be liable to the buyer under the above warranty:

- For any defect arising from fair wear and tear, wilful damage, negligence, abnormal working conditions, failure to follow McMurdo's instructions (whether oral or in writing) including a failure to install properly and/or to use batteries recommended and/or supplied by McMurdo, misuse or alterations or repair of the product by persons other than McMurdo or an Approved Service Agent.
- For parts, materials or equipment not manufactured by McMurdo in respect of which the buyer shall only be entitled to the benefit of any warranty or guarantee given by the manufacturer to McMurdo;
- For the battery storage life which is specifically excluded from this warranty;
- If the total price for the product has not been paid.

THE LIMITED WARRANTY STATED ABOVE IS EXCLUSIVE AND IN LIEU OF ANY OTHER WARRANTY, EXPRESS OR IMPLIED, INCLUDING BUT NOT LIMITED TO ANY IMPLIED WARRANTY OF MERCHANTABILITY OR FITNESS FOR A PARTICULAR PURPOSE.

McMurdo will not be liable for indirect, special, incidental or consequential damages of any kind sustained from any cause. In no event shall McMurdo be liable for any breach of warranty or other claim in an amount exceeding the purchase price of the product. This warranty does not affect any statutory rights of the consumer. In order to be valid, claims must be made under the above warranty in writing as soon as practicable after discovery of the defect or failure and within the warranty period referred to above. Proof of purchase will be required. The claim should be sent together with the product in question to the address set out below or to an Approved Service Agent. Following a valid warranty claim McMurdo shall be entitled to repair or replace the product (or part) in question free of charge, or at McMurdo's sole discretion to refund to the buyer the price of the product (or a proportional part of the price). McMurdo shall not be liable to a buyer who is not a consumer for any other loss or damage (whether indirect, special or consequential loss of profit or otherwise) costs, expenses or other claims for compensation which arise out of or in connection with this product. In the case of a consumer, McMurdo shall only be liable where other loss or damage is foreseeable.

Nothing shall limit McMurdo's liability for death or personal injury caused by its negligence. This warranty is to be interpreted under English law.

All enquiries relating to this warranty or Approved Service Agents should be sent to:

McMurdo Ltd

Holbrook Court
E1 Cumberland Business Centre
Northumberland Road
Southsea PO5 1DS

United Kingdom

Phone: +44 (0)23 9262 3900
Email: sales@seasofsolutions.com
Website: www.seasofsolutions.com

McMurdo Limited

Holbrook Court, E1 Cumberland Business Centre,
Northumberland Road,
Southsea, Hampshire
PO5 1DS
United Kingdom

Phone: +44 (0)23 9262 3900

Email: sales@seasofsolutions.com

Website: www.seasofsolutions.com

20-550 Issue 7